

Choosing the Right DoorDam™ For Your Needs

Ordering the right DoorDam takes just three easy steps:

Step 1: Decide Which DoorDam™ Model Is Right For Your Building.

If you think the height of floodwaters could exceed 16-inches, the DoorDam 2600 is the right model, etc:

DoorDam 1800™

- For minor to moderate flash flooding, storm drain overflow, etc.
- Holds back up to 16-inches of water

DoorDam 2600™

- For heavy flooding, hurricane protection, etc.
- Holds back up to 24-inches of water

DoorDam 3600™

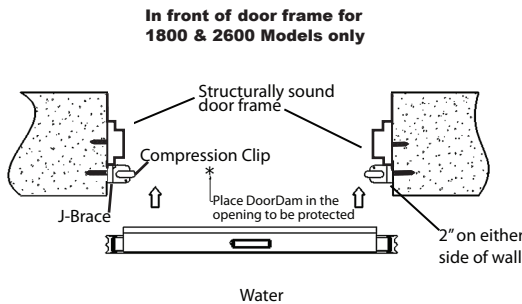
- For severe flooding and heavy-duty hurricane protection, etc.
- Holds back up to 34-inches of water

Step 2: Measure The Opening To Be Protected

Measure the inside width of the opening where the DoorDam is to be installed. DoorDam is adjustable up to a total of four inches in width so a measurement within the nearest half-inch is fine (round up). Do not install DoorDam on a wooden doorjamb, but in front of, or behind the doorjamb on solid, watertight masonry, concrete or metal surface in good condition. Also, when using the Face Mount Z-Bracket add 2-inches to your total width.

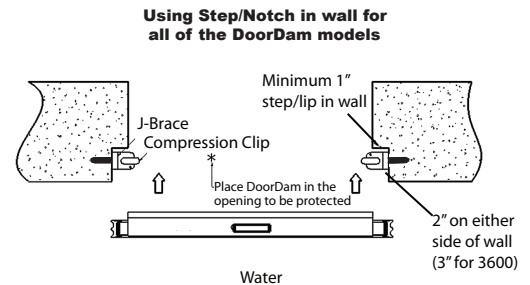
Step 3: Determine Which Bracket You Will Use

The J-Brace hardware used in Style 1 and the Z-Brackets used in Style 2 and 3 are included with each DoorDam 1800 and 2600. Only the J-Brace used in Style 1 is included with the DoorDam 3600. The other brackets are sold separately. If your opening cannot accommodate the J-Brace by itself, it can be used in conjunction with one of the special jamb brackets shown below:



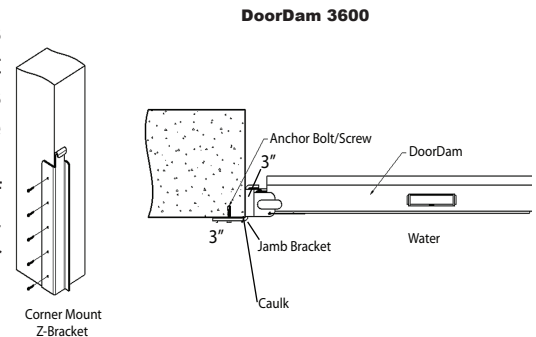
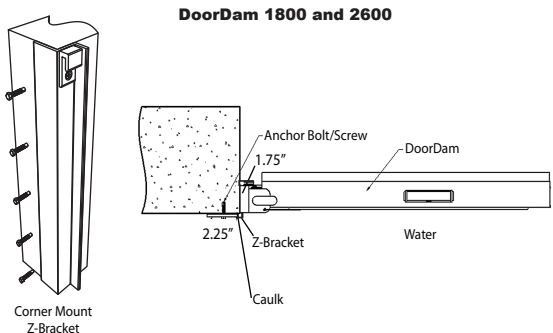
Style 1: J-Brace

The J-Brace, which comes with all DoorDams, can be used by itself in front of a strong door frame in good structural condition (note: DoorDam 3600 cannot be supported by only a door frame due to the extensive water load) or on a smooth and plumb building opening that can take the water load and has at least 1-inch step (notch) in wall. There must be at least 2" of wall (1800 & 2600) and 3-inches (3600) on the either side of the opening for the DoorDam seals to work.



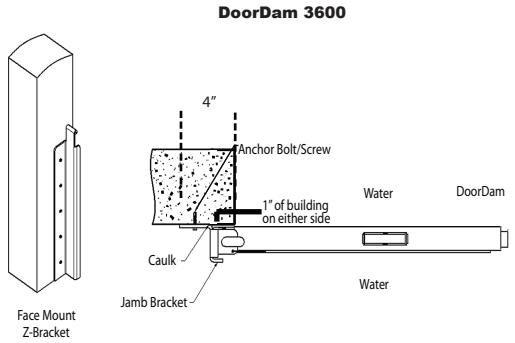
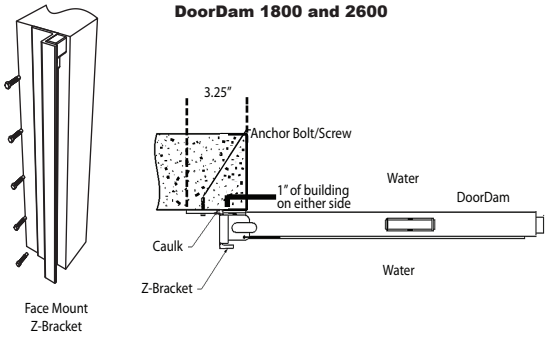
Style 2: Corner Mount Z-Bracket

The Z-Bracket is used in conjunction with the J-Brace as a reinforced corner mount (the J-Brace attaches with supplied bolts to the Z-Bracket for the 1800 and 2600). The brackets are mounted on the corner of the opening within the doorway and ahead of the door frame. Because of its strength this Style is recommended when possible. The corner you will mount onto needs 2.25-inches on the face of the opening and 1.75-inches of clearance on the inside walls for the 1800 and 2600 and at least 3-inches on both sides for the 3600



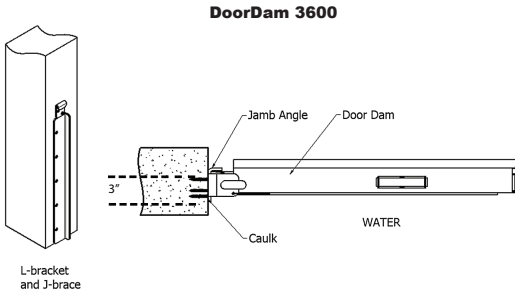
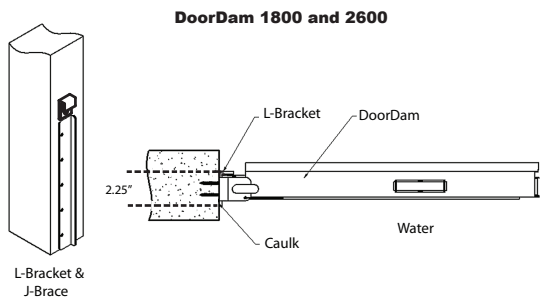
Style 3: Face Mount Z-Bracket

The Z-Brackets are also used for Style 3, but are mounted on the face of the building in front of, or behind, the doorway. For this style, water can be on either side of the DoorDam. If mounting on the outside of the building, be sure to mount the bracket at least 1-inch from the corner of the opening to provide support for DoorDam. You will need a total 3.25-inches of clearance on the face of the building for the 1800 and 2600 and 4-inches total for the 3600. Because you need to mount the bracket at least 1-inch in from each corner remember to add 2-inches to your overall opening measurement.



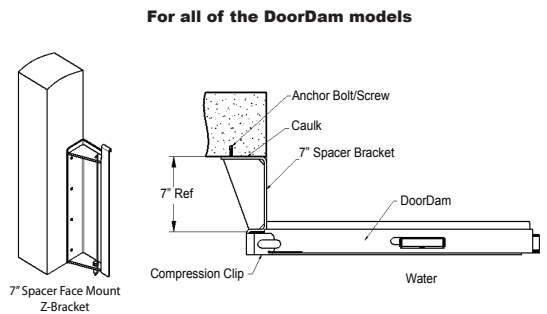
Specialty Style 4: L-Bracket

Use on the jamb surface of the opening in conjunction with the J-Brace. This is a good bracket to use when you have the space between the openings, at least 2.25-inches for the 1800 and 2600 as well as 3-inches for the 3600, and need the 1-inch step (lip) in wall to support the DoorDam when water is pushing against it. This is special order only and does not come with your DoorDam.



Specialty Style 5: 7" Spacer

Use in a situation where there is an obstruction on either or both sides of the door opening. Examples include hurricane shutters, electrical outlets or elaborate door trimming. In these situations, a 7" Spacer Z-Bracket is used to mount the DoorDam 7-inches away from the face of the building as in Style 3 on the previous page. This Bracket, also, does not come standard with the DoorDam and must be specially ordered.



Caution: Never install DoorDam without a J-Brace or a Bracket. With proper installation, you should be able to close the door with DoorDam in place.

Please visit DoorDam.com or call 1-866-DoorDam (366-7326) for more information on placing your order.

